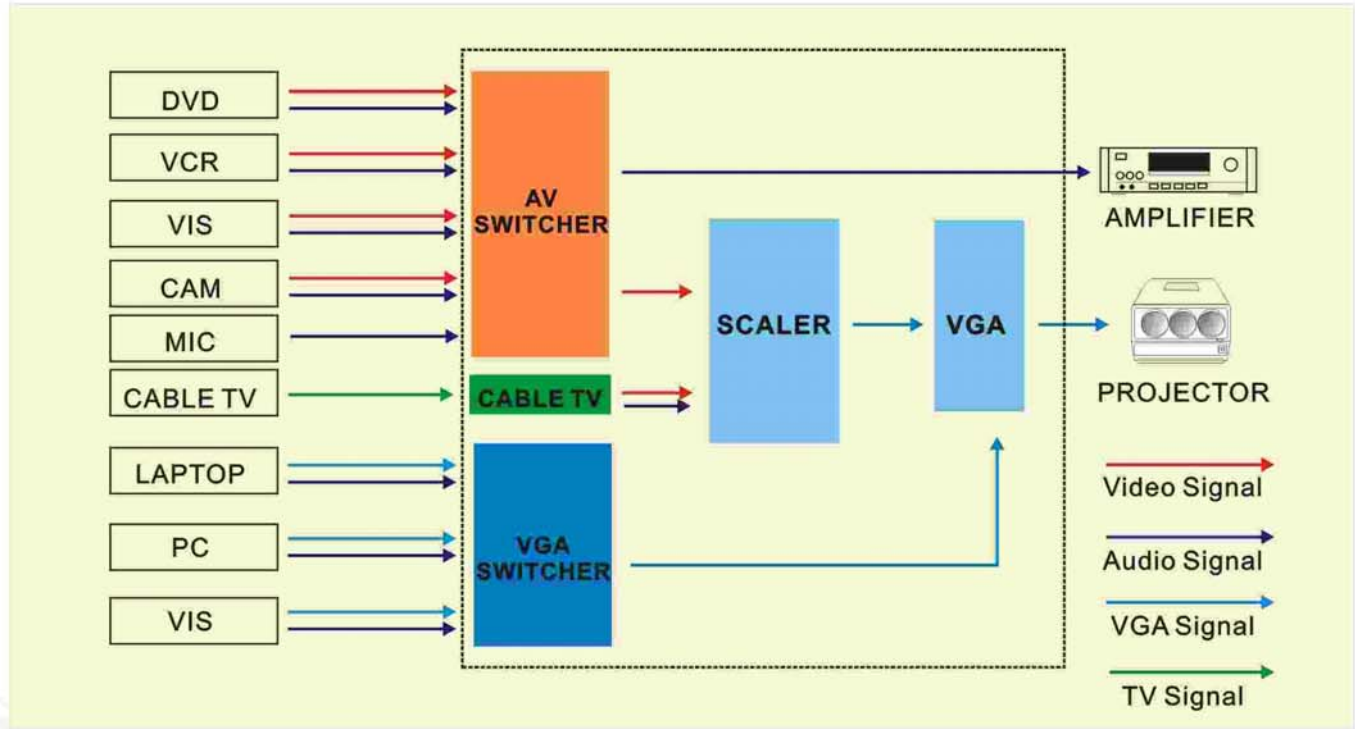


MAX1301-TV Multi-Signal Scaler Switcher



Multi-Signal Scaler Switcher

MAX1301-TV Scaler Switcher is the latest designed product of CRATOR as a multi-signal scaler switcher. It's also a professional video switcher and double liner, it can switch composite Video, S-video, VGA, Cable TV signals to VGA output signal. It is very economical and practical for small multimedia conference room or center to switch different A/V sources to projector.

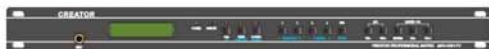
Features

- ◆ Power-fail protection
- ◆ LCD Display: Real-time monitor of the operating status
- ◆ Provide RS232 control port for communication with PC or other control system equipments
- ◆ Infrared remote control
- ◆ Enhanced static proof on ports
- ◆ Compatible with NTSC, PAL and SECAM video With scaler function,
- ◆ Inputs: 4 channels of AV input on RCA connectors
4 channels of video input on S-Video
4 channels of VGA input on 15-pin HD and audio on F3.5 mini ports
1 channel of TV antenna
3 channels of Microphone input support individual volume control
- ◆ Outputs: 2 parallel channels of VGA/SVGA/XGA on female 15-pin HD for simultaneous monitor and projector viewing and a channel of audio output on RCA ports
- ◆ Auto search the signal source of CVBS, S-Video
- ◆ Eliminate impulse noise

www.creator.com

MAX1301-TV Multi-Signal Scaler Switcher

Front Panel



Rear Panel



Parameters

CVBS Switch

Bandwidth	100 MHz@-0.1dB
Re-sampling	9bit analog,
Difference gain error	<0.02%
Difference phase error	<0.02 Degree
Echo lost	<-30dB@5MHz

S-Video Switch

Bandwidth	150MHz@-0.1d,
Re-sampling	9bit analog,
Difference gain error	<0.02%
Difference phase error	<0.02
Echo lost	<-30dB@5MHz

VGA

Bandwidth	250 MHz @-3dB, support 1600x1200@85 or above
Crossfire	-56dB@10M, -40dB@100M
Echo lost	<-30dB@5MHz

TV (option)

Sensitive	VHF_Low 32dBuV, VHF_High 32dBuV, UHF 35dBuV,
Video S/N	>50dB (full load)
Audio S/N	>58dB (full load)
Audio lost	<2%

Audio

Frequency echo	20Hz - 22kHz @+0.1dB
THD +	<0.03% @1kHz
S/N	>90dB @ 20dBu Output
Disturbing	<-85dB @1kHz, Full Load
Stereo separation	>92dB@1kHz
CMRR	>80dB@20Hz --22KHz

Others

Power Supply	110V~240V
Power	20W
Dimension	485L×230W×44.5H(mm)